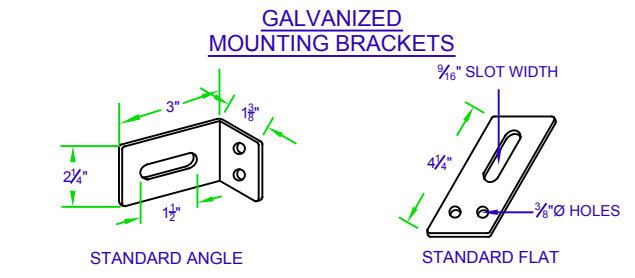
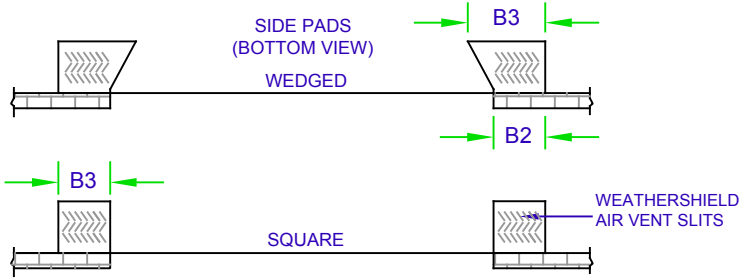
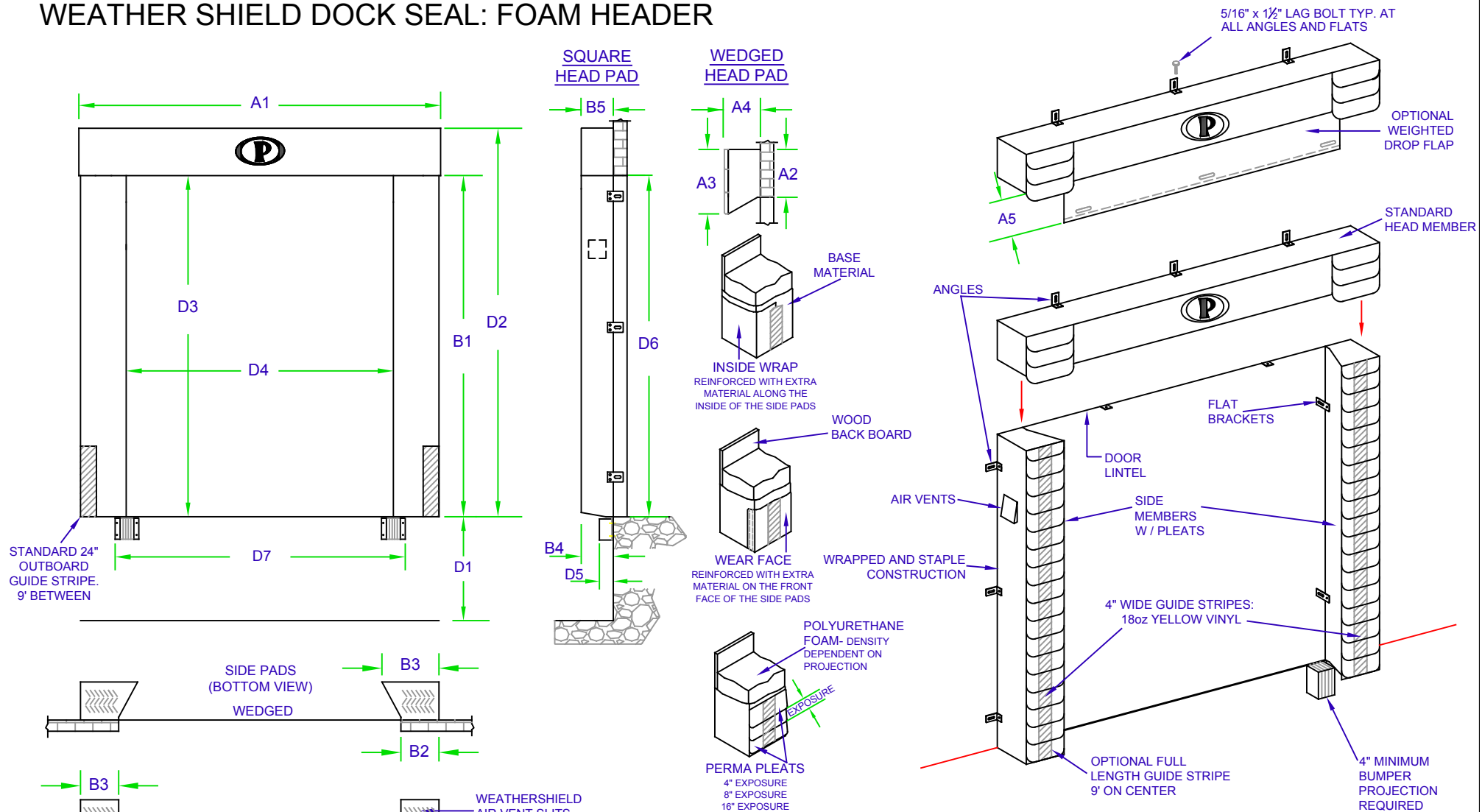


WEATHER SHIELD DOCK SEAL: FOAM HEADER



DIMS.		HEAD PAD DATA:	
A1- _____	" LENGTH	MATERIAL- _____	
A2- _____	" HEIGHT AT REAR	DROP FLAP: <input type="checkbox"/>	
A3- _____	" HEIGHT AT FACE	PERMA PLEATS: <input type="checkbox"/>	
A4- _____	" PROJECTION	PLEAT MATERIAL- _____	
A5- _____	" DROP FLAP	EXPOSURE- _____	
DIMS.		SIDE PAD DATA:	
B1- _____	" LENGTH	MATERIAL- _____	
B2- _____	" WIDTH AT REAR	WEAR FACE: <input type="checkbox"/>	
B3- _____	" WIDTH AT FACE	INSIDE WRAP: <input type="checkbox"/>	
B4- _____	" PROJ. AT BOTTOM	PERMA PLEATS: <input type="checkbox"/>	
B5- _____	" PROJ. AT TOP	PLEAT MATERIAL- _____	
FULL LENGTH GUIDE STRIPE: <input type="checkbox"/>		EXPOSURE- _____	

SPECIAL INFORMATION:

DIMS.		GENERAL INFO:	
		APPROACH- DECLINE: <input type="checkbox"/> INCLINE: <input type="checkbox"/> LEVEL: <input type="checkbox"/>	
D1- _____	" DOCK HEIGHT FROM GROUND	D5- _____	" BUMPER PROJ.
D2- _____	" ENTIRE UNIT HEIGHT	D6- _____	" DOOR HEIGHT
D3- _____	" INSIDE OPENING HEIGHT	D7- _____	" DOOR WIDTH
D4- _____	" INSIDE OPENING WIDTH		

PERMA TECH, INC. 363 HAMBURG STREET • BUFFALO, NY 14204 (716) 854-0707 • 1-800-DOC-SEAL www.permatechinc.com		JOB:	
		DEALER:	DATE:
CONTACT:		QUOTE #:	
APPROVED BY SIGNATURE:			